

Bolt

- 1. Existing bolt
- 2. M12x40 (10.9)
- 3. M12x40 (10.9)
- 4. M12x40 (10.9)
- 5. M12x90 (10.9)
- 6. M12x25 (10.9)

Torque

- 60 Nm
- 75 Nm
- 120 Nm
- 140 Nm
- 110 Nm
- 110 Nm

40673

NEXT electric retractable towbar Quick Reference

| | |
|--|------------|
| Peugeot 3008 (e-3008) | 02/2024 -> |
| Peugeot 5008 (e-5008) | 10/2024 -> |
| Opel/Vauxhall Grandland (Hybrid / Electric) | 10/2024 -> |

BRiNK

Type no. **40673** Art.no.

Serial no. **XXX** **E**

Coupling class **A50-X**

Approval no. **E11 55R 0313175**

D-value **D 10.4** kN

Vertical load **S 80** kg

CM-Load **CM 75** kg

Part no.

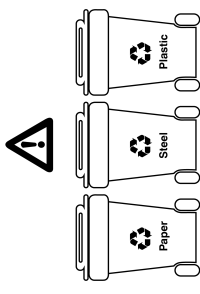
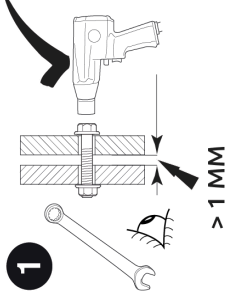
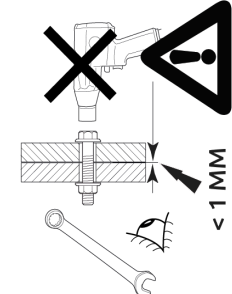
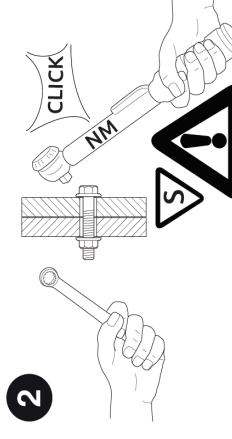
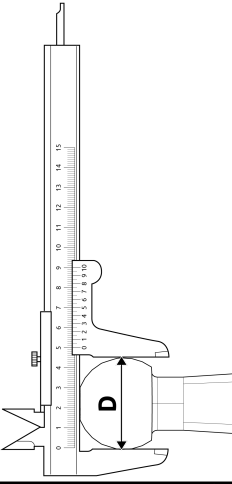
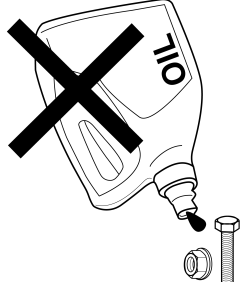
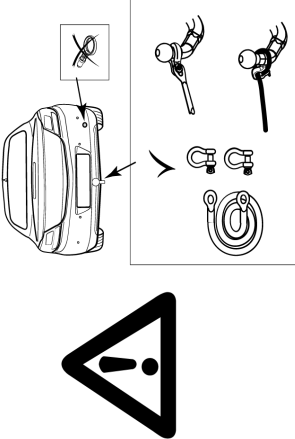
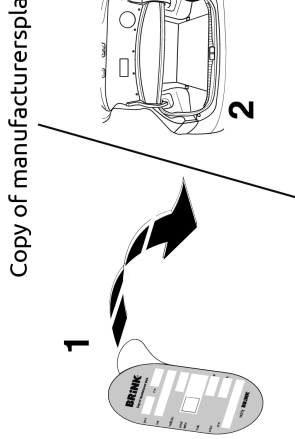
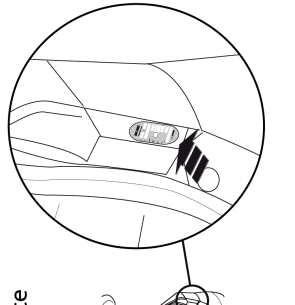
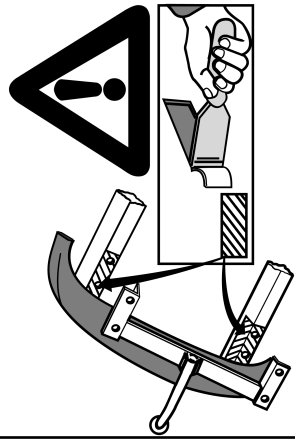
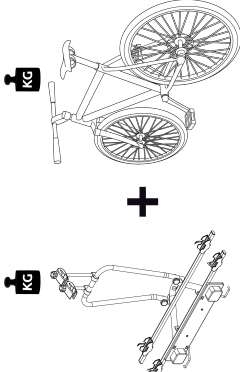
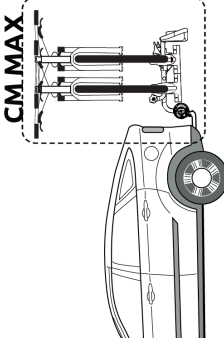
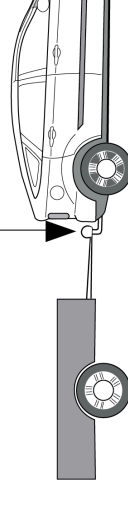
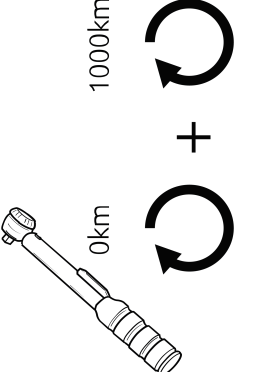

Made by **BRiNK**

This Quick Reference is dated **06 / 10 / 2025**. Scan the QR code to access the latest and most complete version. If required, a printed copy can be provided upon request.



Brink Towing Systems B.V.
P.O. Box 24,7950 AA Staphorst
The Netherlands

aftersales.nl@brink.eu

| | | | | |
|---|--|---|--|--|
|  <p>KEEP THE WASTE SEPARATION IN MIND</p> | <p>1</p>  <p>> 1 MM</p> |  <p>< 1 MM</p> | <p>2</p>  <p>CLICK NM</p> | <p>$\varnothing 49,61\text{mm} \leq D \leq \varnothing 50\text{mm}$</p>  |
|  |  | <p>Copy of manufacturer's plate</p>  <p>1</p> |  |  |
| <p>CM (Carrier Mass) =</p>  | <p>CM Max.: 75kg</p>  | <p>Max. vertical: 80kg</p>  |  <p>0km + 1000km</p> |  <p>HIGH VOLTAGE</p> |