

Bolt

- 1. M12x60 (10.9)
- 2. M10x35 (10.9)
- 3. M12x40 (10.9)
- 4. M12x40 (10.9)
- 5. M12x90 (10.9)
- 6. M12x25 (10.9)

Torque

- 110 Nm
- 75 Nm
- 120 Nm
- 75 Nm
- 140 Nm
- 110 Nm

40651

NEXT electric retractable towbar
Quick Reference

Mercedes E Class

2016-2023

BRiNK

Type no. **40651** Art.no.

Serial no. **XXX** **E**

Coupling class **A50-X**

Approval no. **E11 55R 0313154**

D-value **D 12** kN

Vertical load **S 85** kg

CM-Load **CM 75** kg

Part no.

Made by **BRiNK**

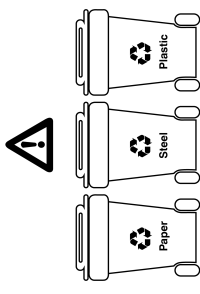
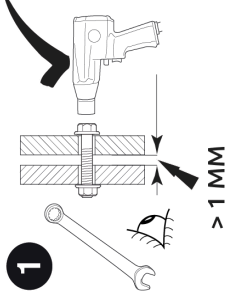
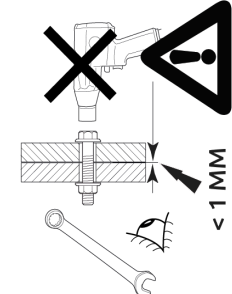
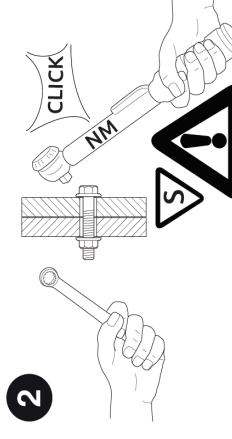
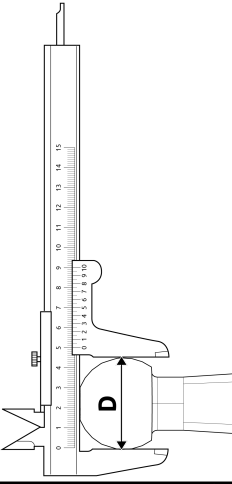
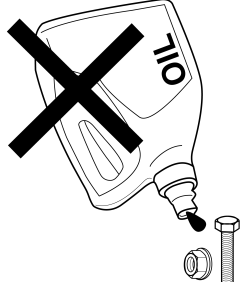
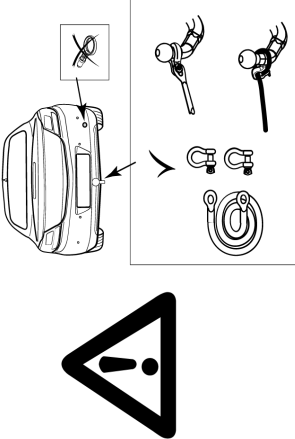
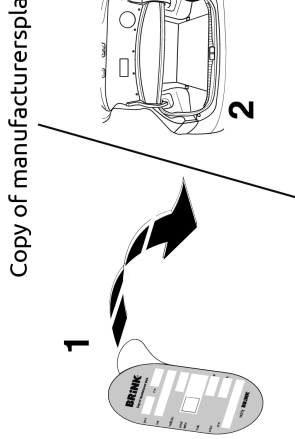
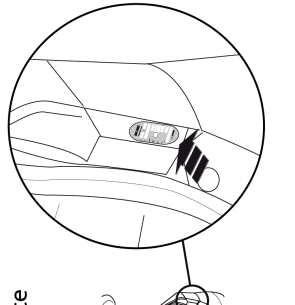
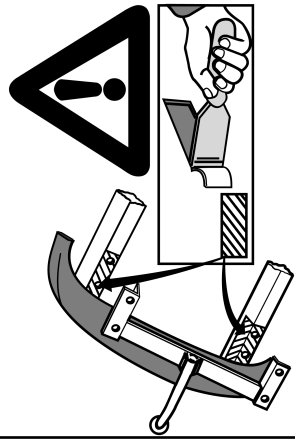
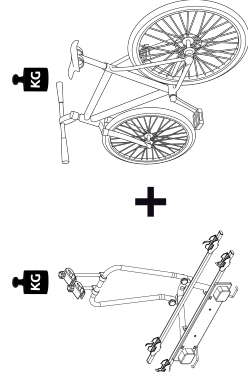
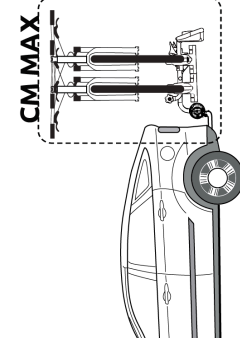
This Quick Reference is dated **12 / 08 / 2025**. Scan the QR code to access the latest and most complete version. If required, a printed copy can be provided upon request.



Brink Towing Systems B.V.
P.O. Box 24,7950 AA Staphorst
The Netherlands

aftersales.nl@brink.eu



 <p>KEEP THE WASTE SEPARATION IN MIND</p>	<p>1</p>  <p>> 1 MM</p>	 <p>< 1 MM</p>	<p>2</p>  <p>CLICK</p>	<p>$\varnothing 49,61\text{mm} \leq D \leq \varnothing 50\text{mm}$</p> 
		<p>Copy of manufacturer's plate</p>  <p>1</p>		
<p>CM (Carrier Mass) =</p> 	<p>CM Max.: 75kg</p> 	<p>Max. vertical: 85kg</p> 