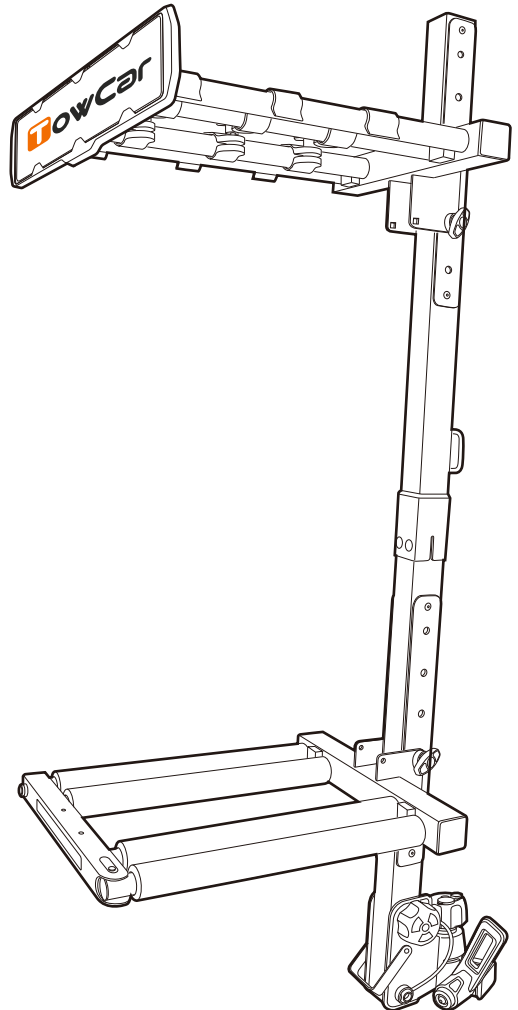
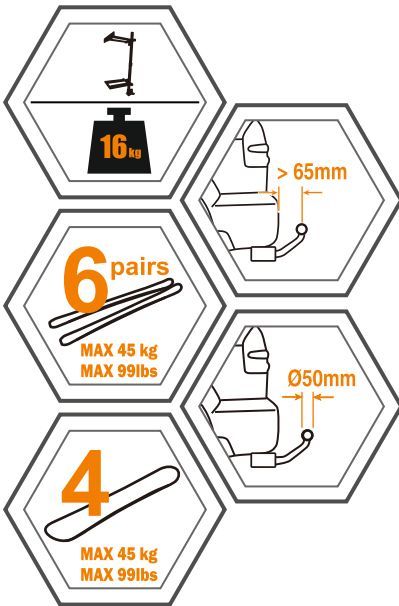






- ES** Portaesquíus
- GB** Ski carrier
- FR** Porte-ski
- DE** Skiträger
- IT** Portasci

# CERLER

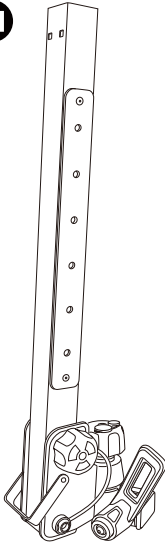
**AEPK026**



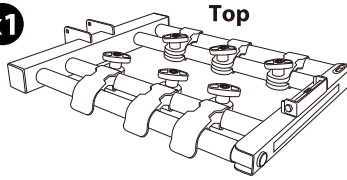
Max  kg		 
30 kg	<b>16 kg</b>	14 kg
40 kg		24 kg
50 kg		34 kg
>65 kg		MAX 45 kg

# PART LIST

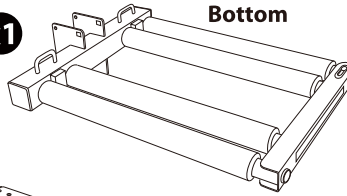
x1



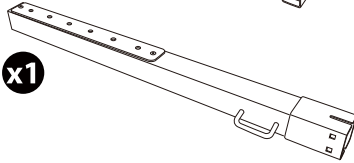
x1



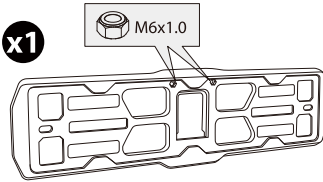
x1



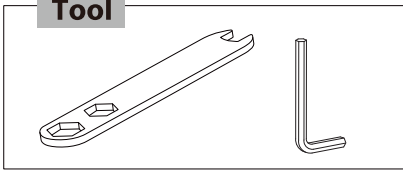
x1



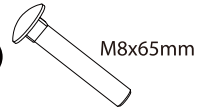
x1



Tool



x2



x2



x2



x2



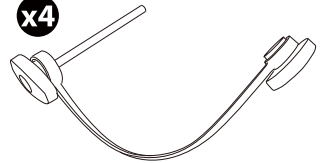
x2



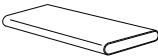
x1



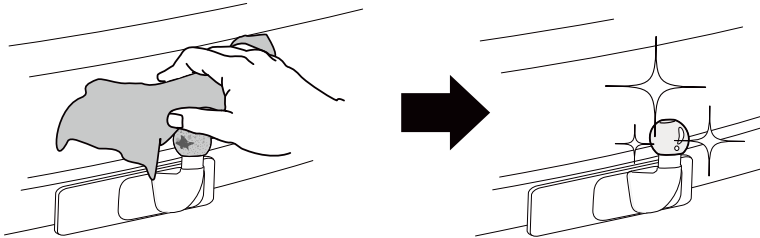
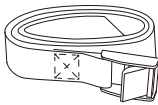
x4

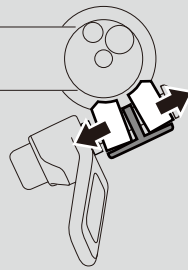
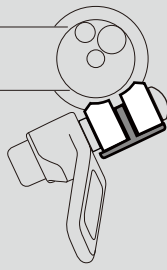


x4

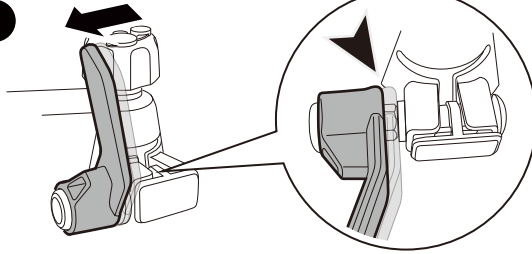


x3

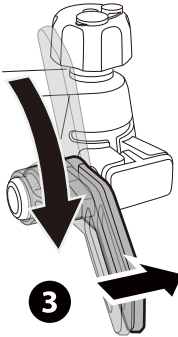




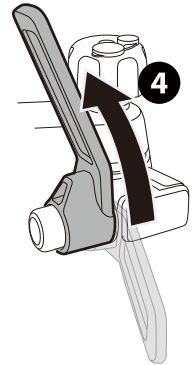
1



2



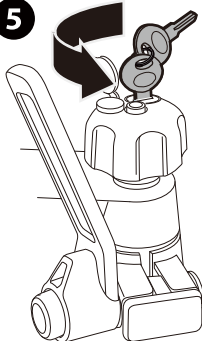
3



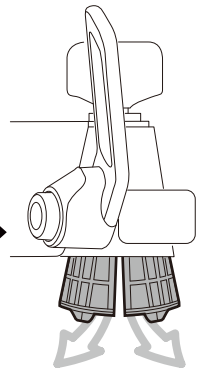
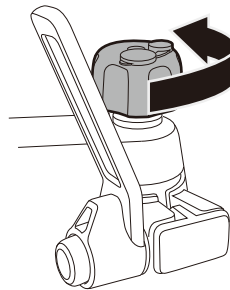
4

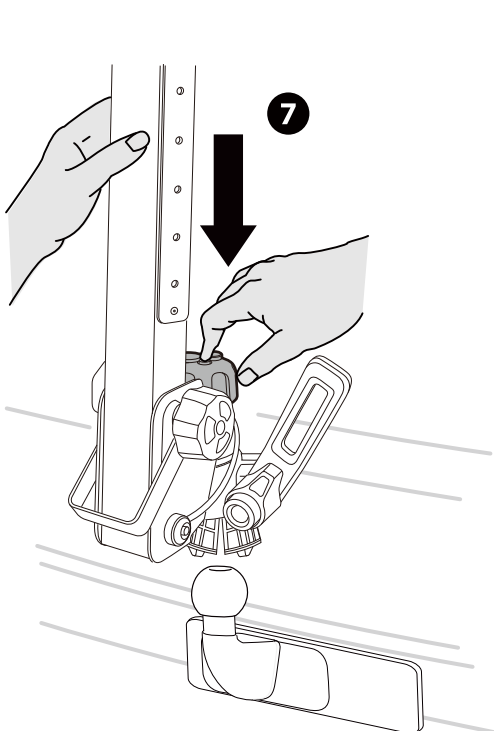


5

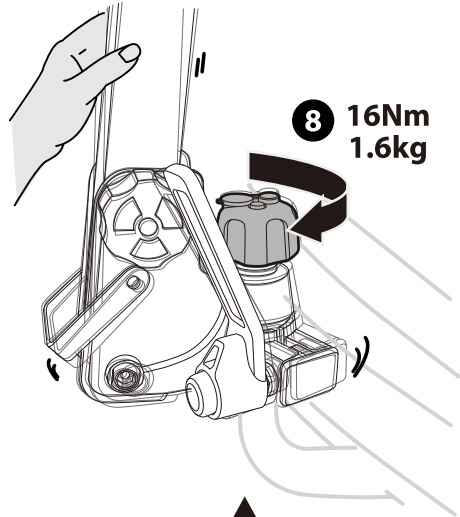


6





7

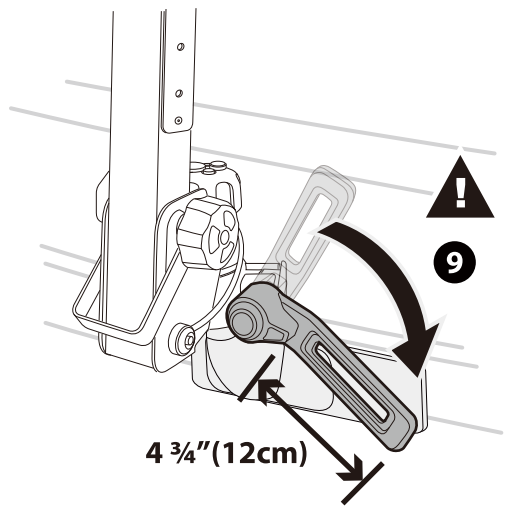


8 16Nm  
1.6kg



OK

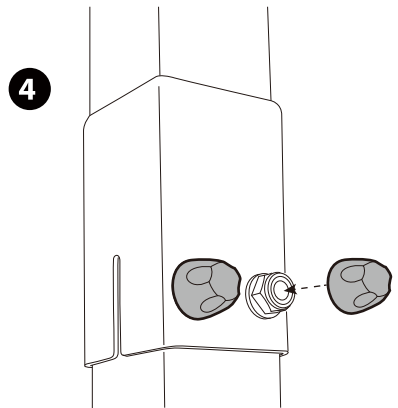
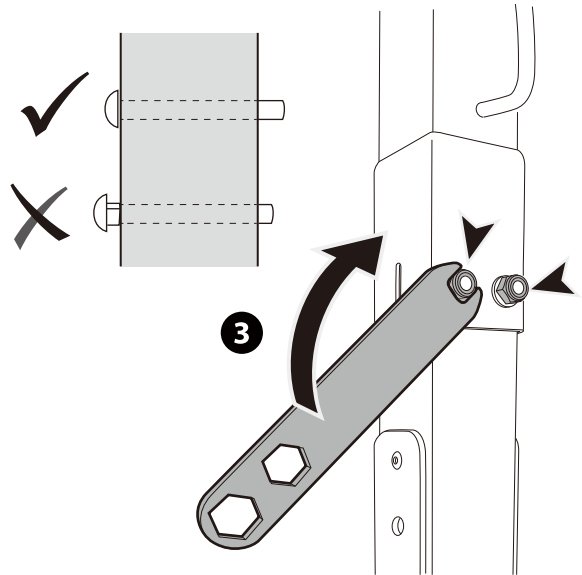
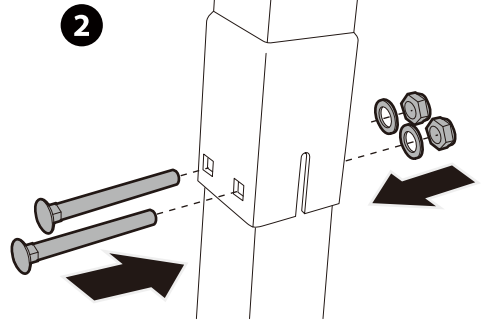
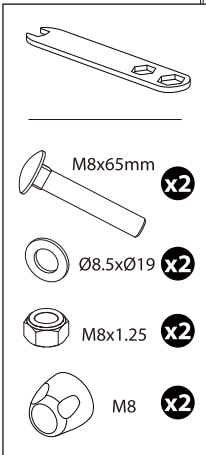
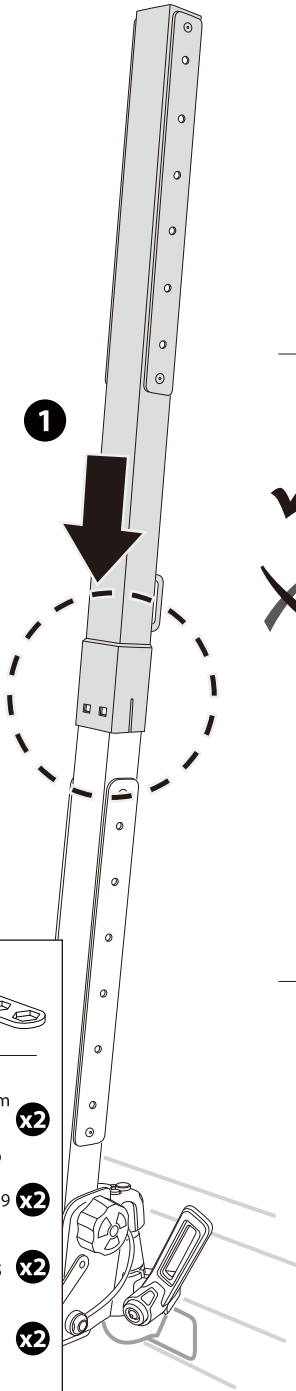
~~OK~~

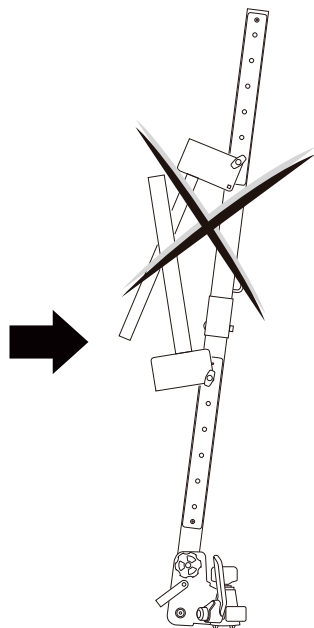
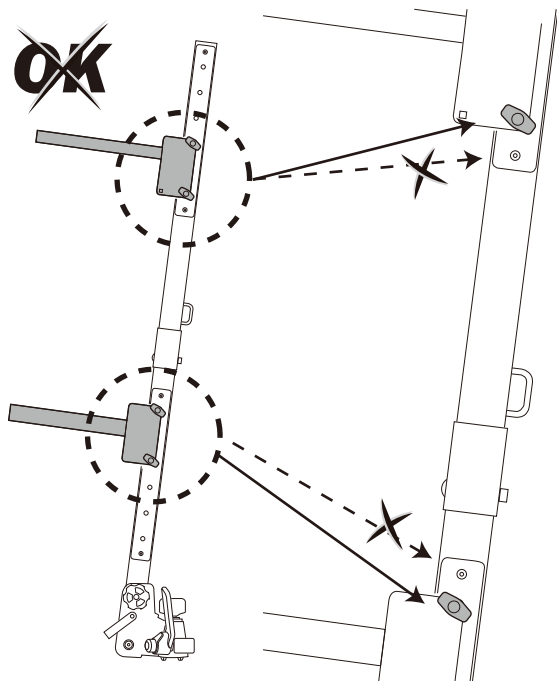
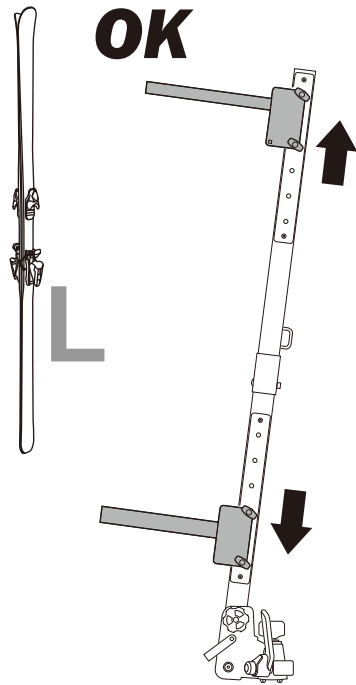
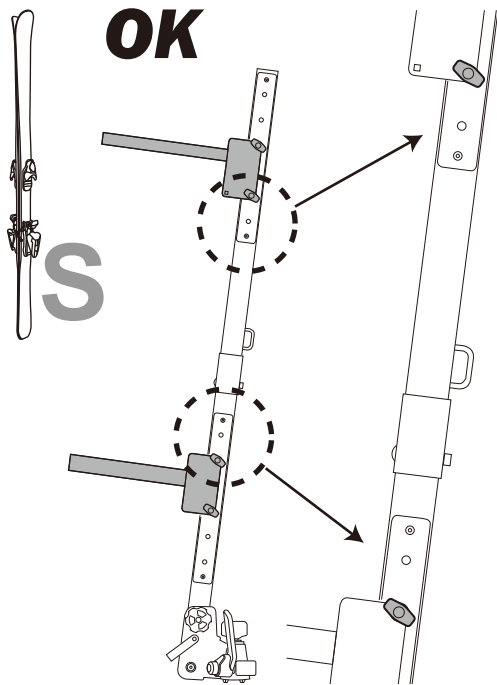


! MAX  
37.5Kg

9

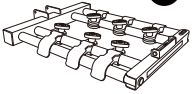
4 3/4" (12cm)





Top

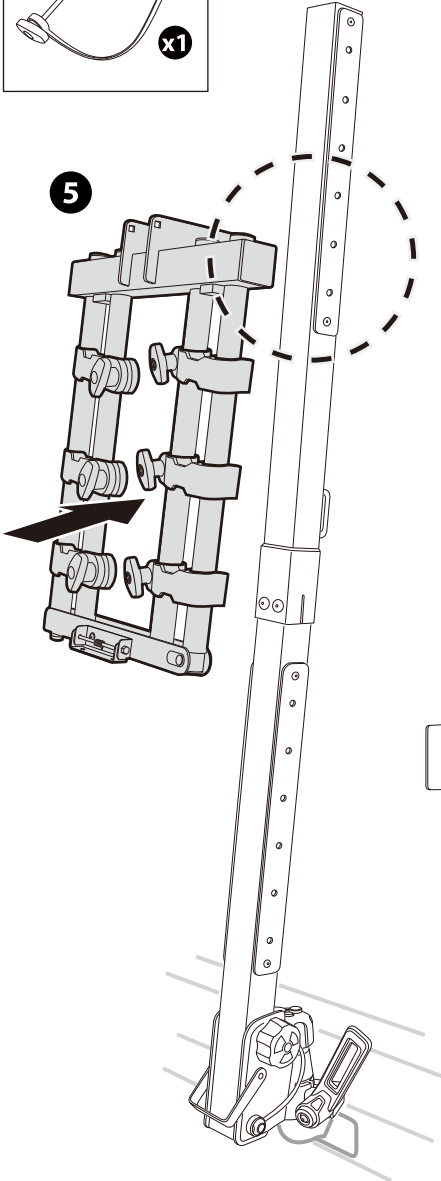
x1



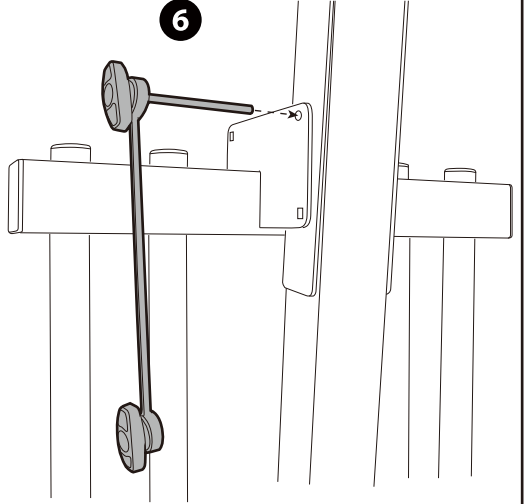
x1



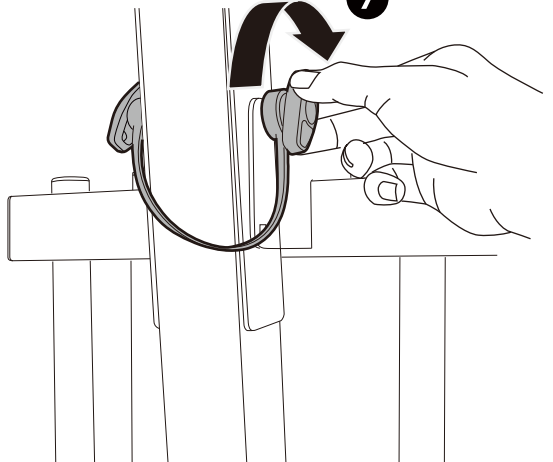
5



6



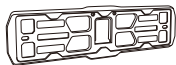
7



**Denmark only** 504x120mm



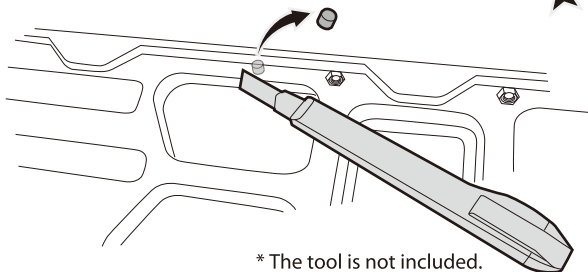
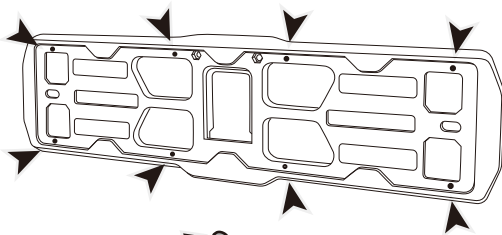
x1



M6x16mm

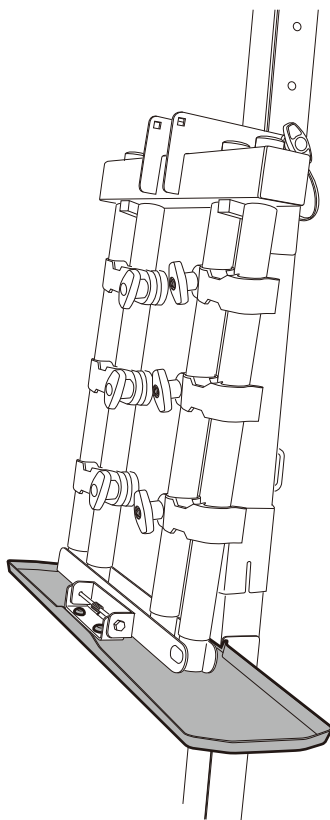
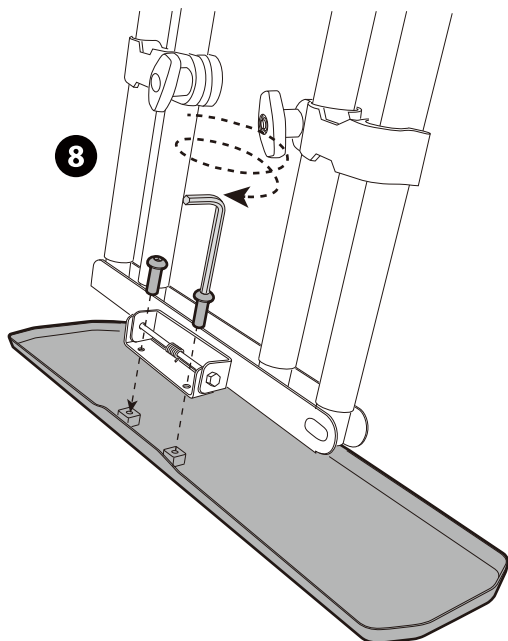


x2

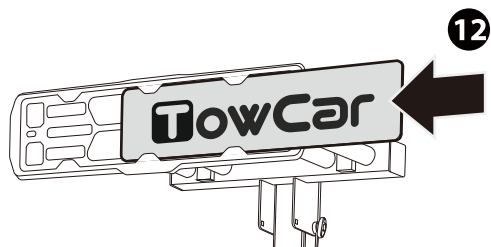
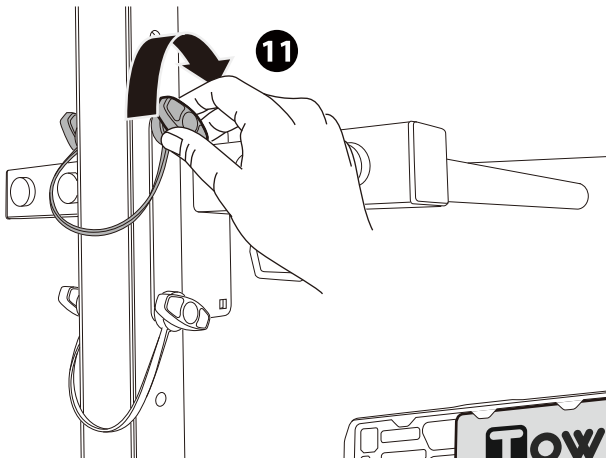
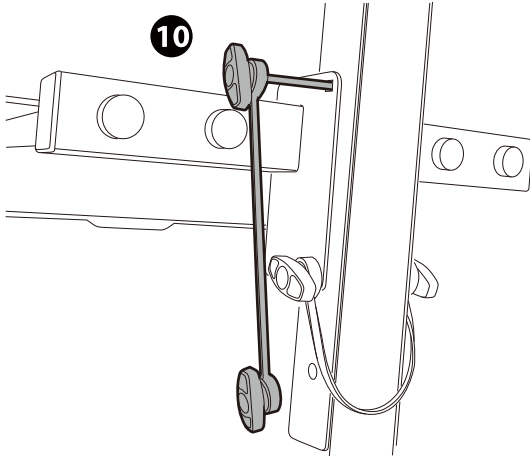
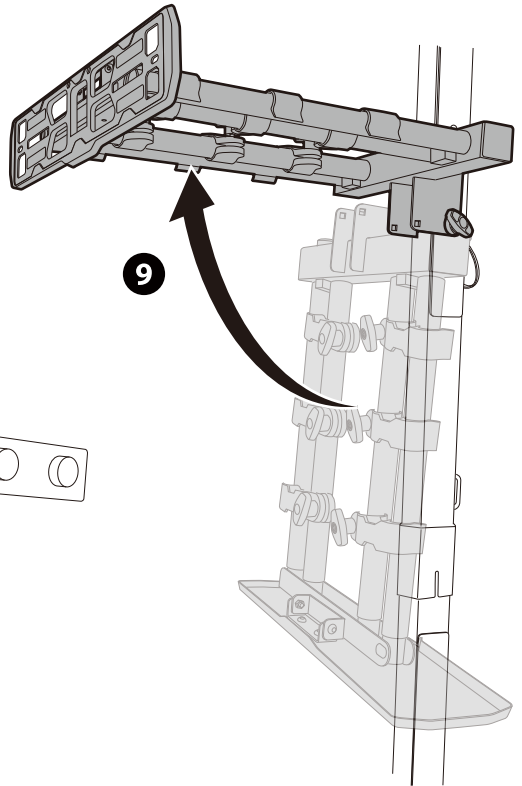
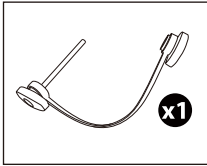


\* The tool is not included.

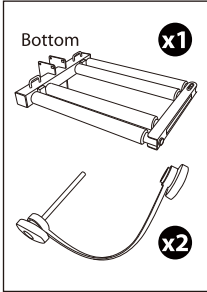
8



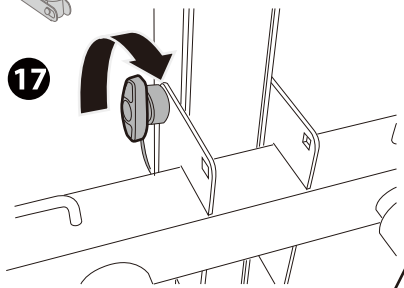
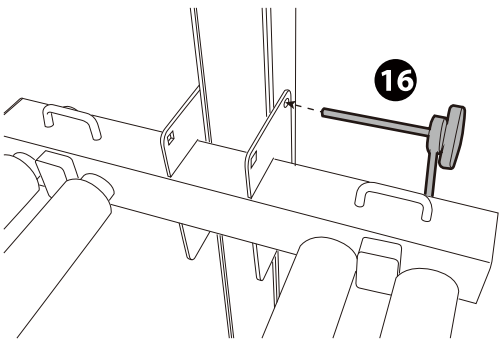
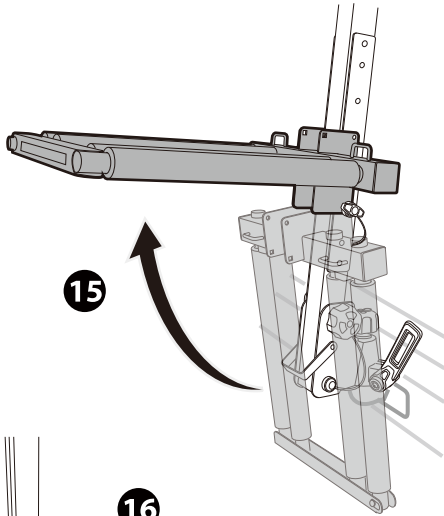
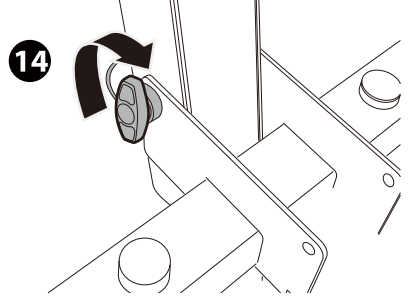
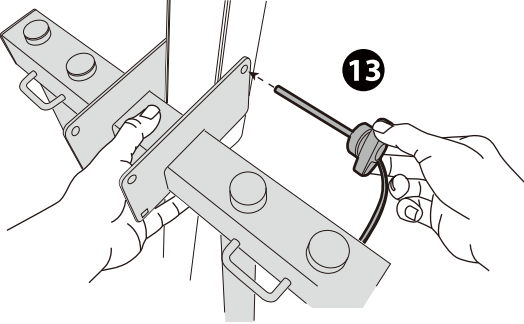
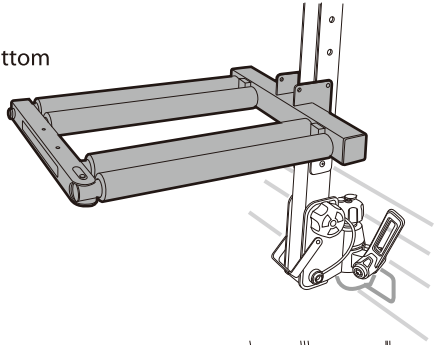


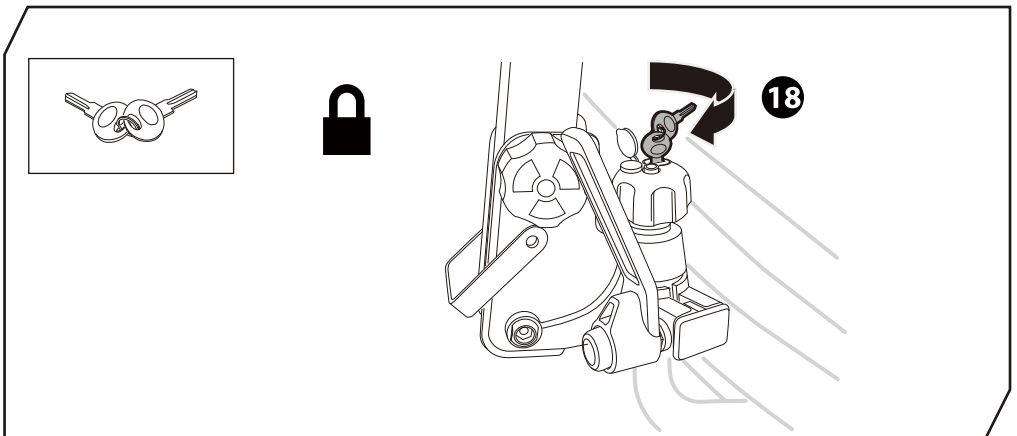
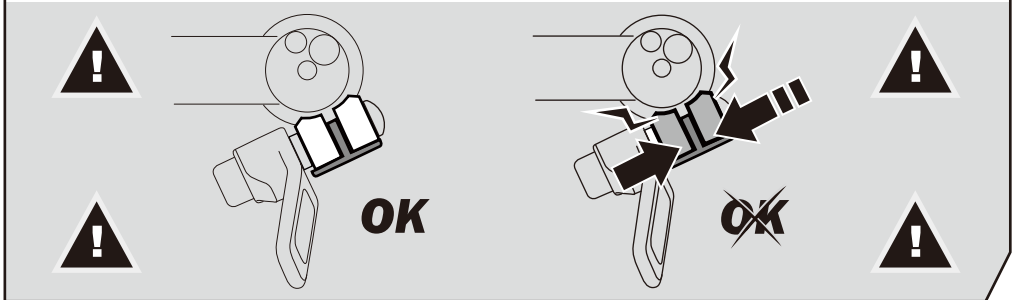
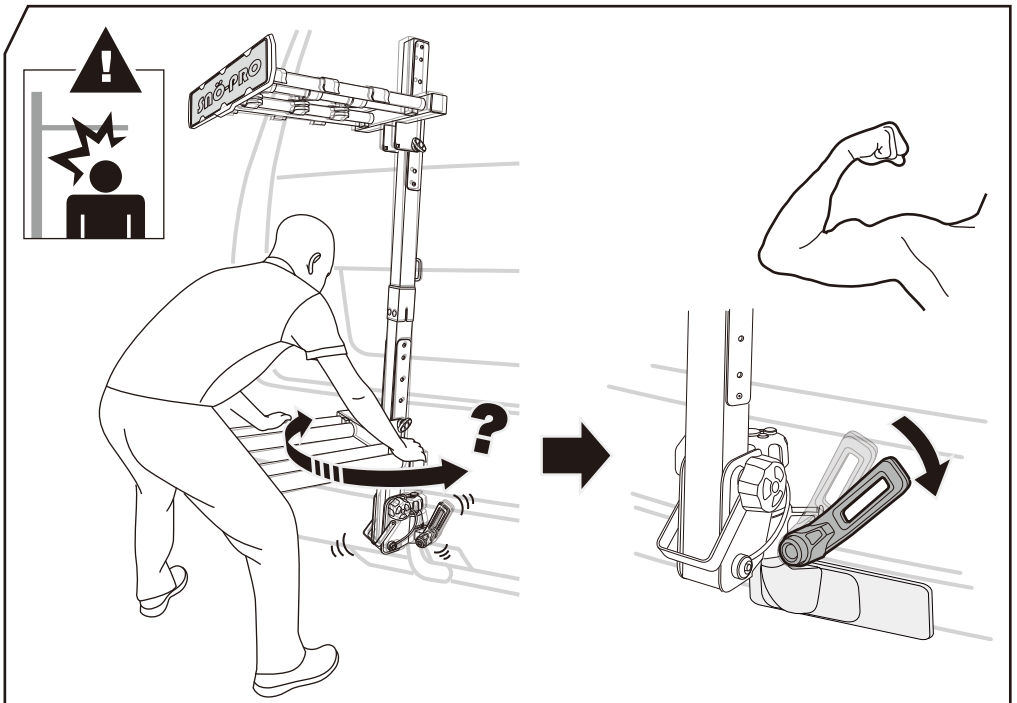


\* This plate is not included.

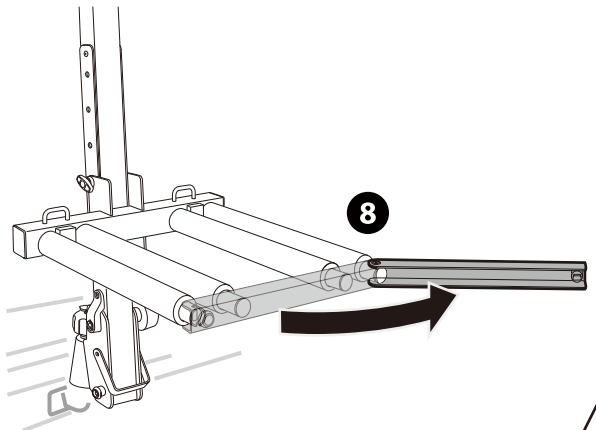
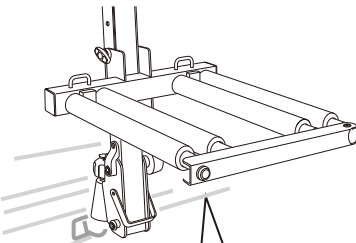
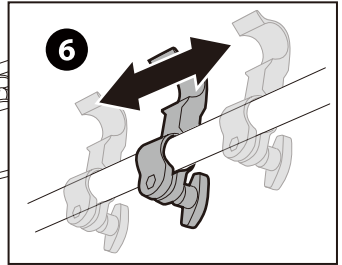
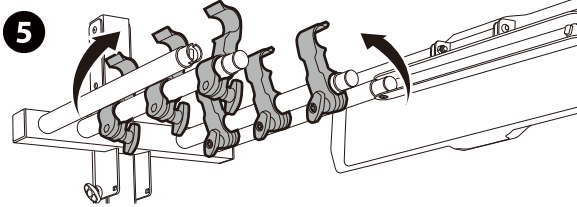
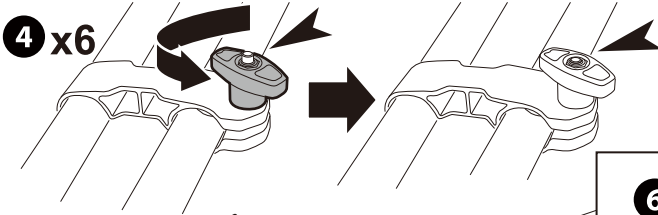
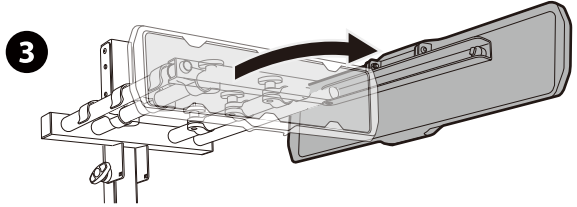
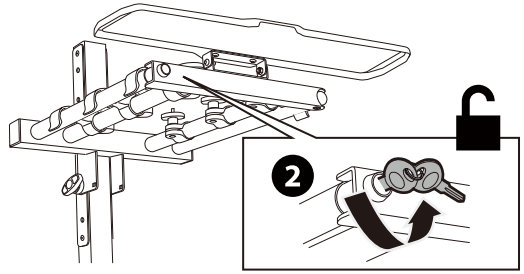
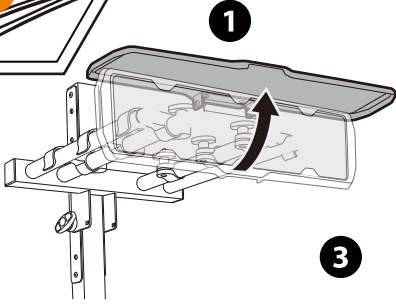


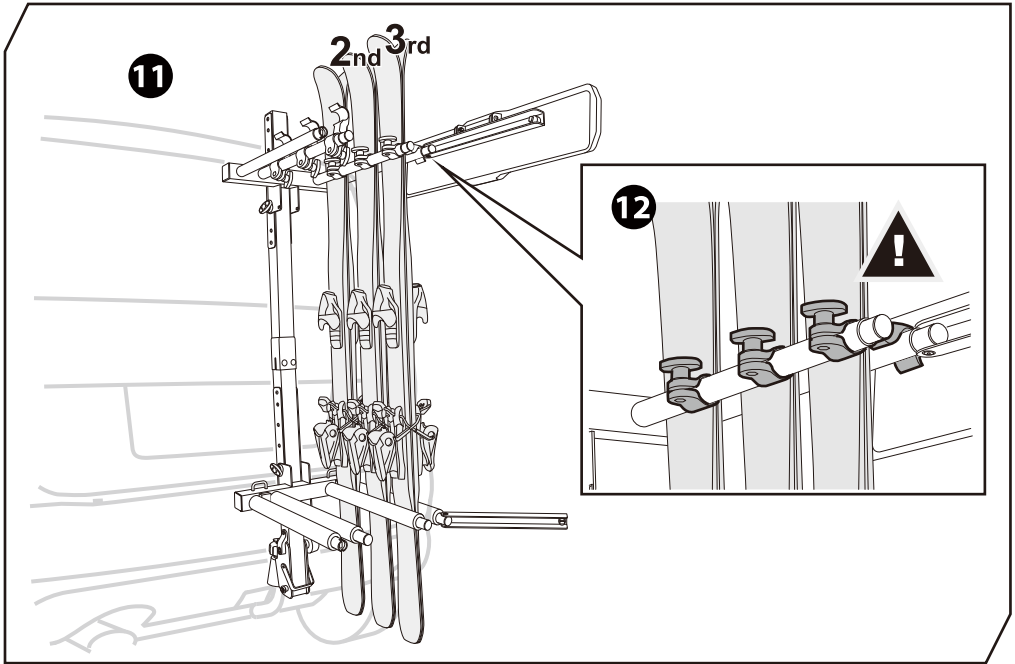
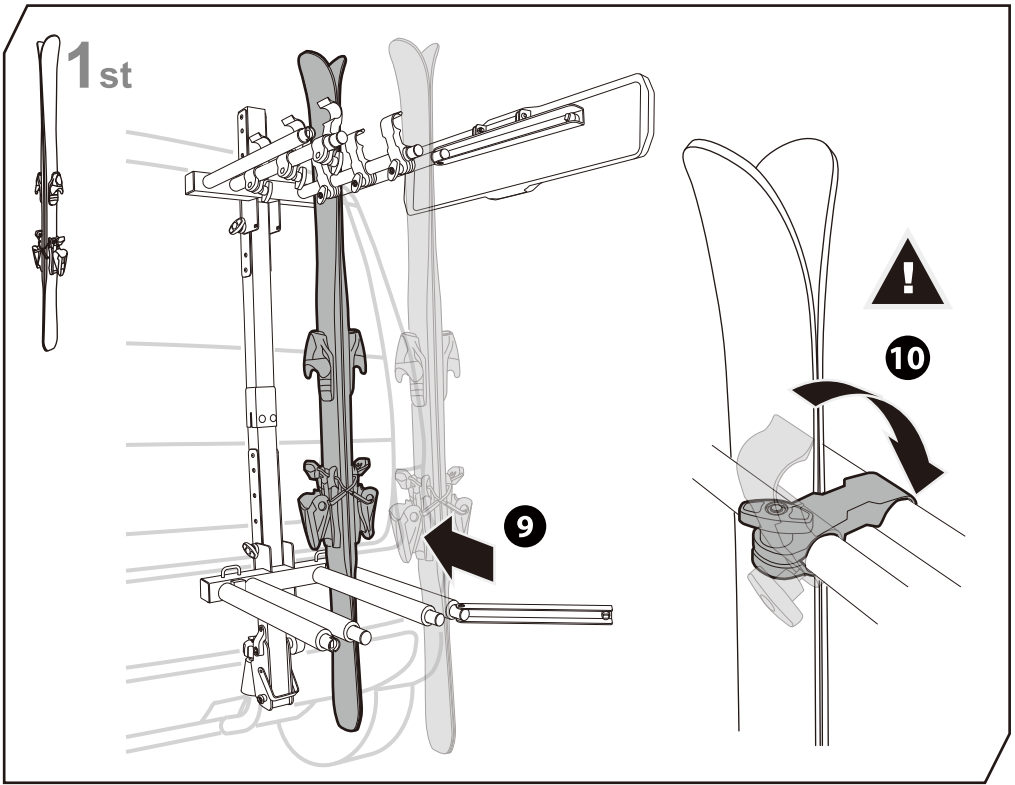
Bottom

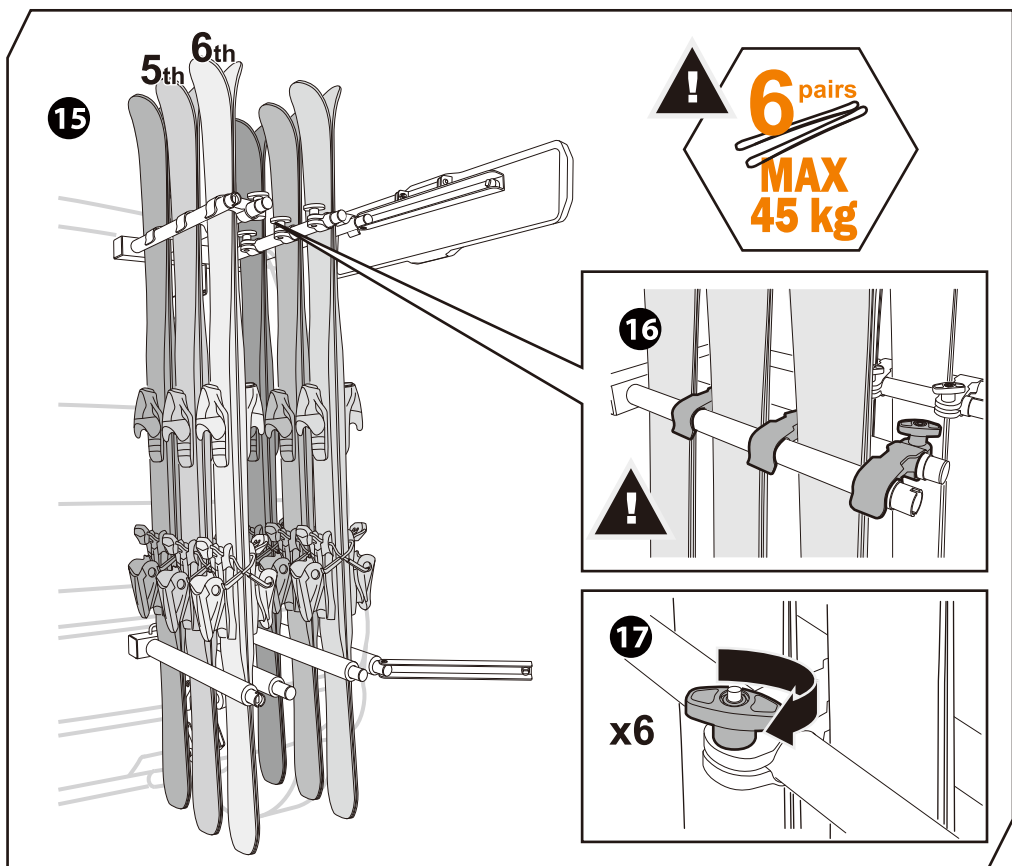
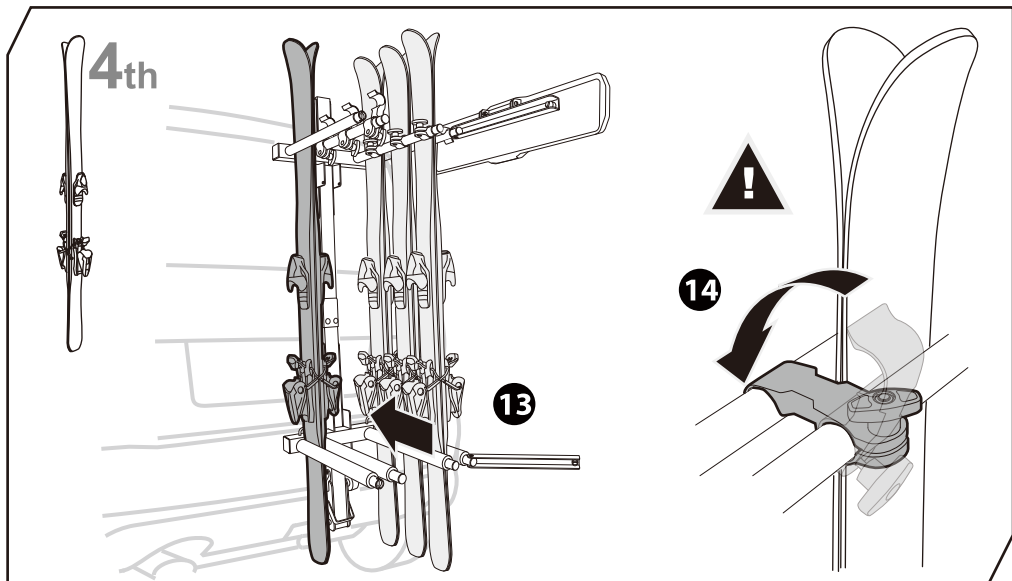


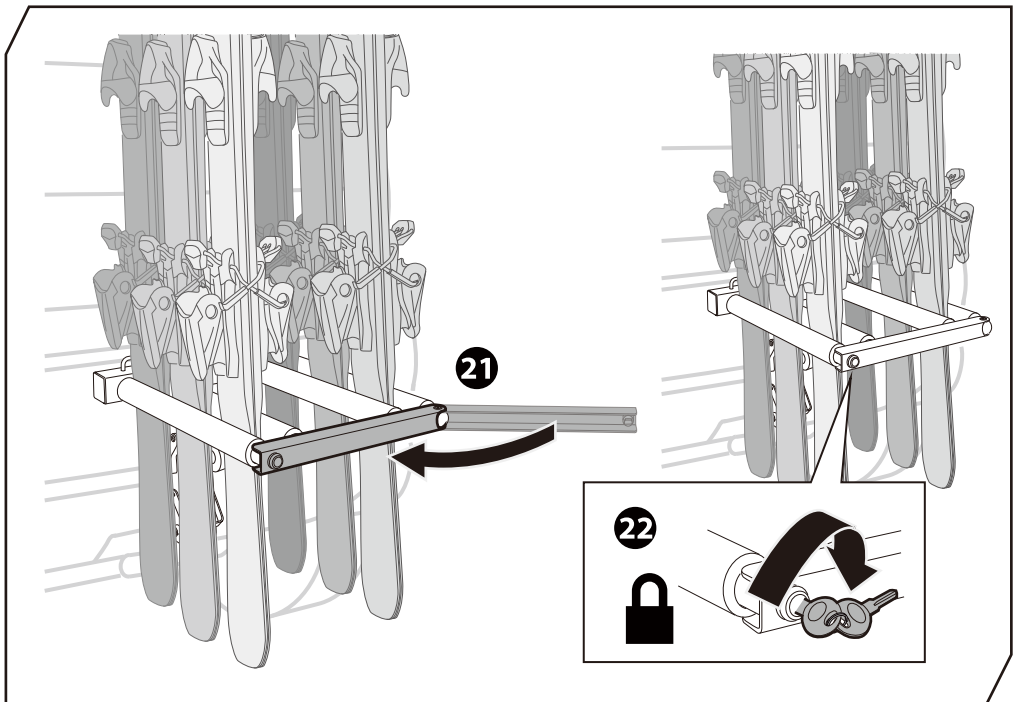
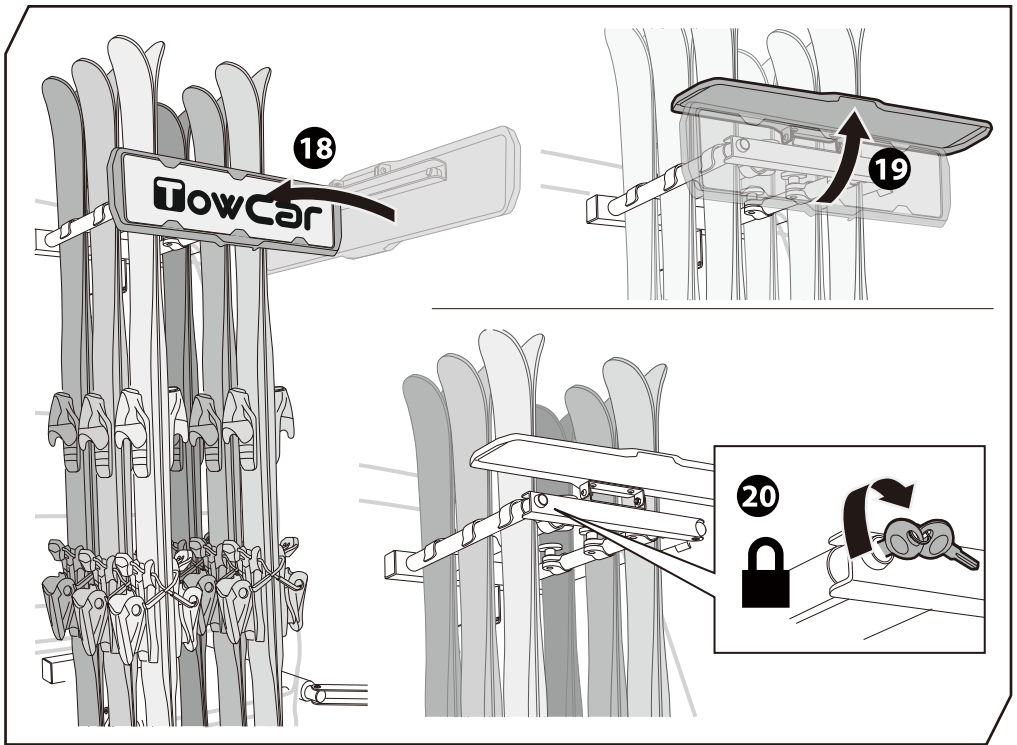


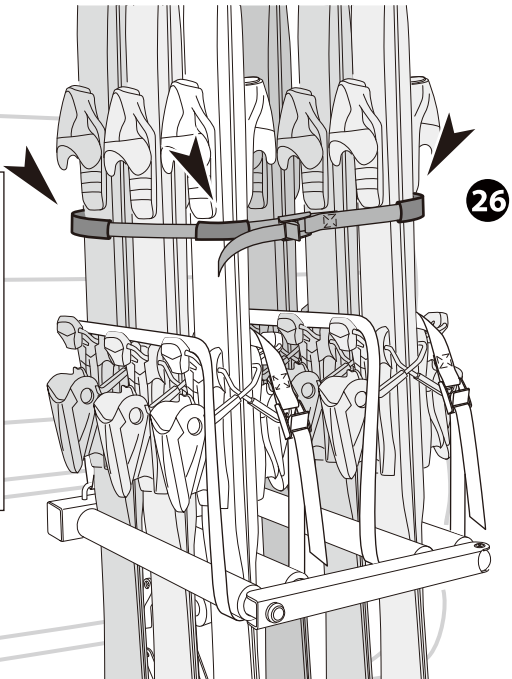
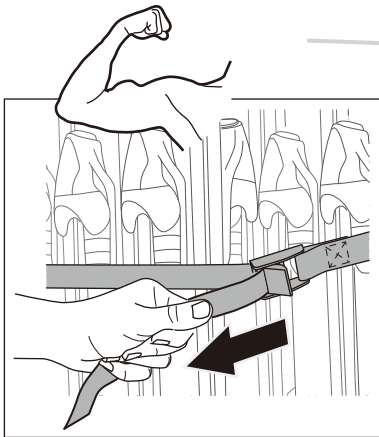
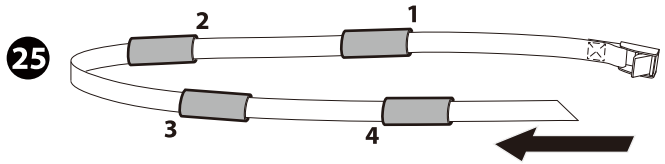
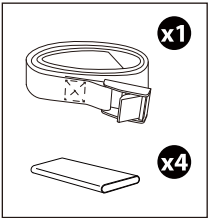
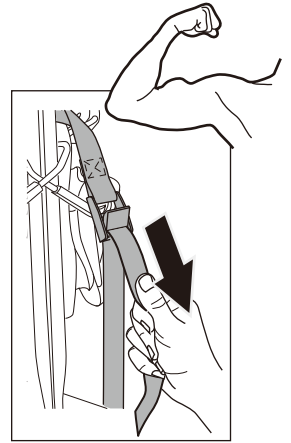
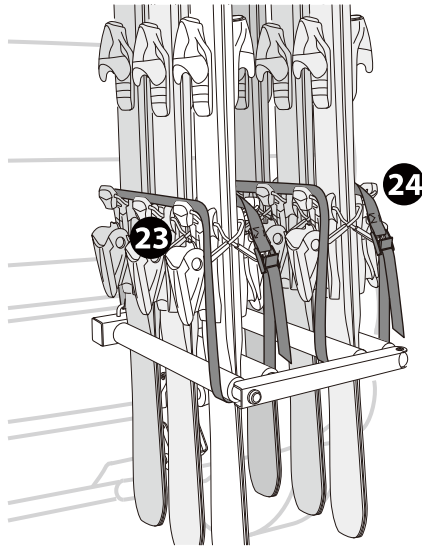
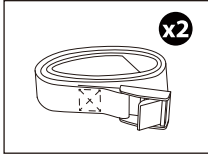
**6** pairs



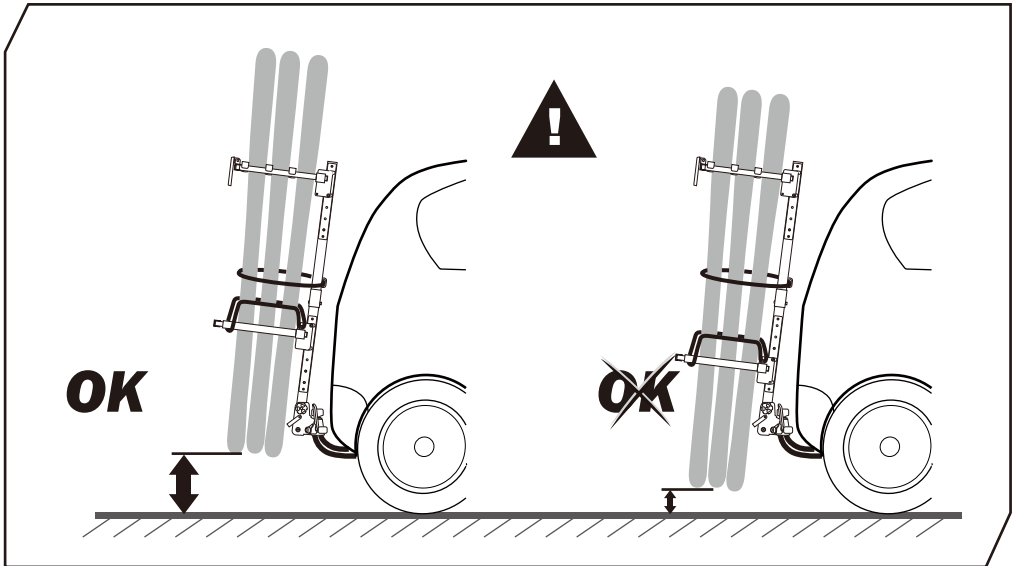
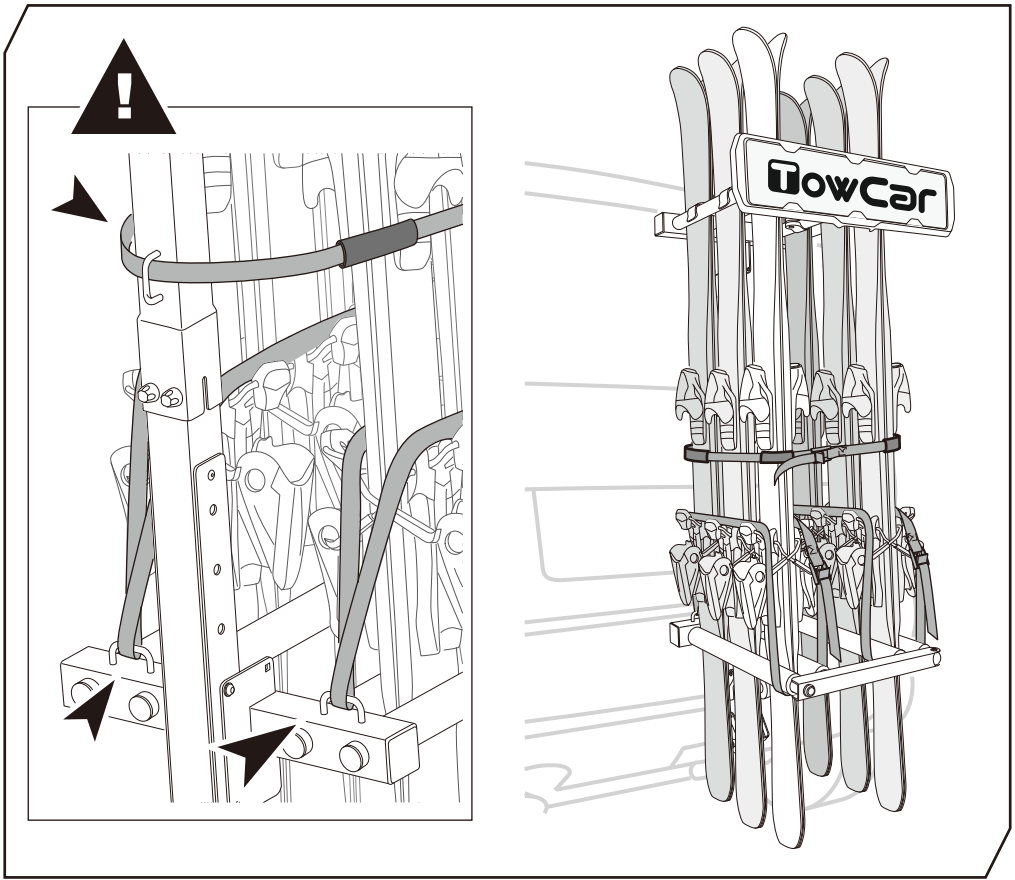


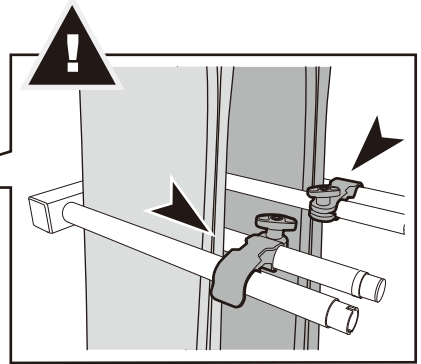
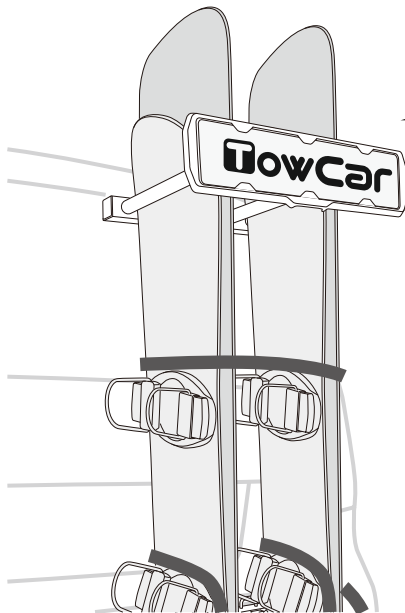
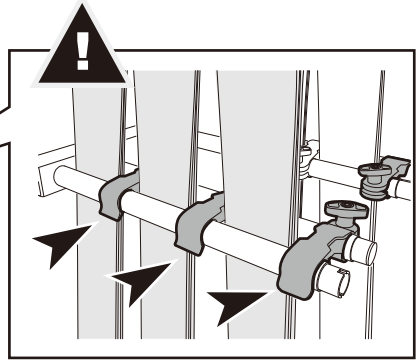
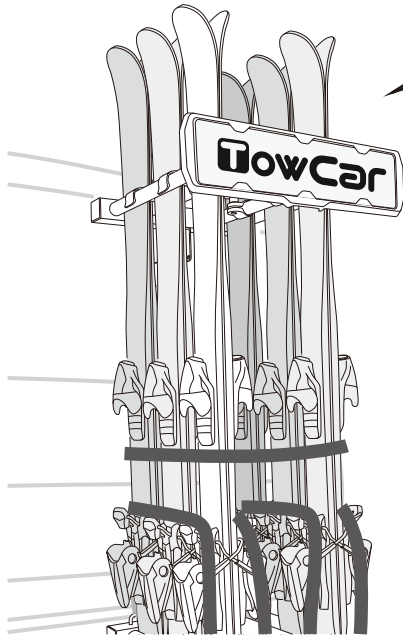


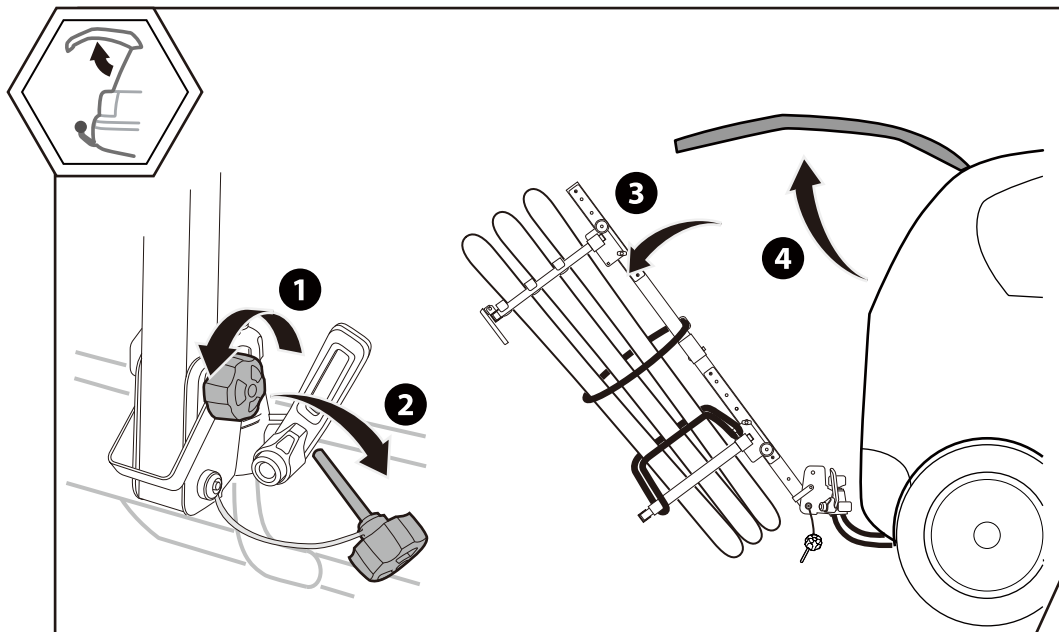
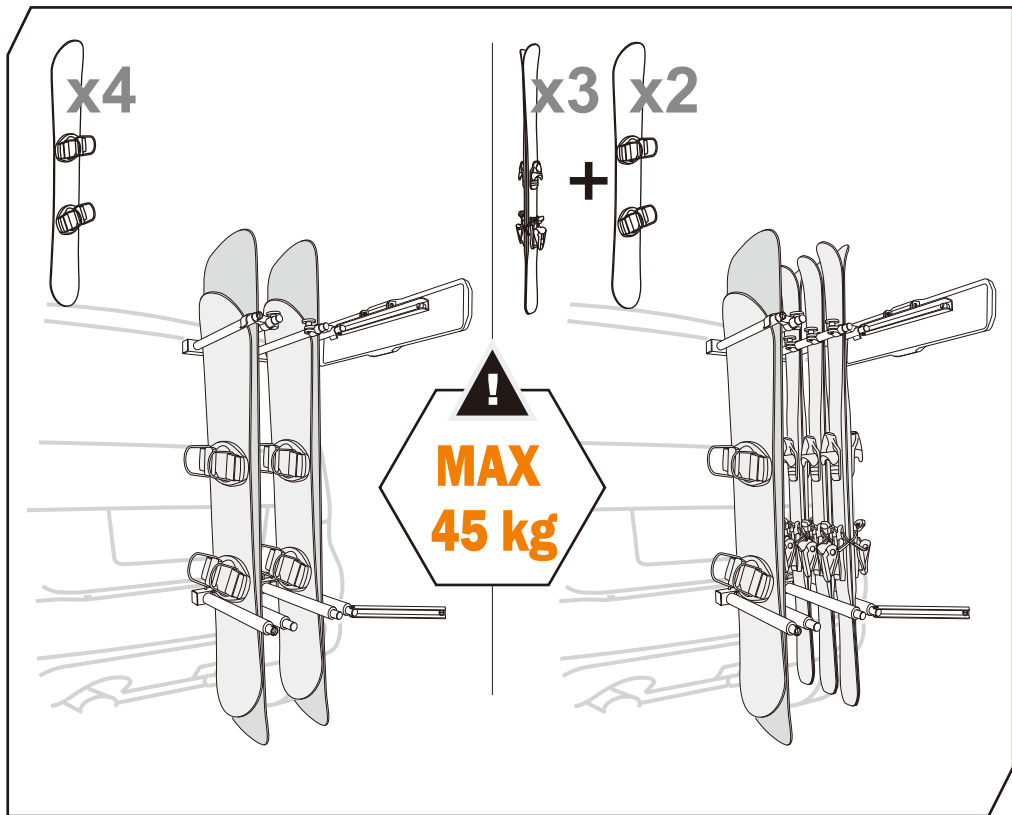


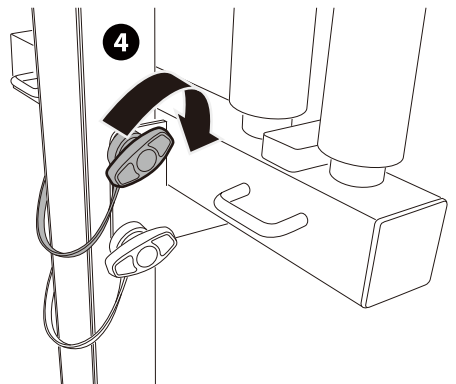
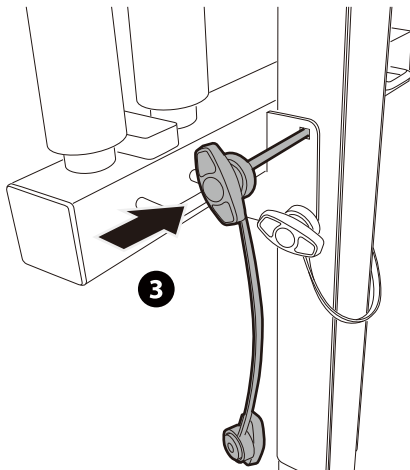
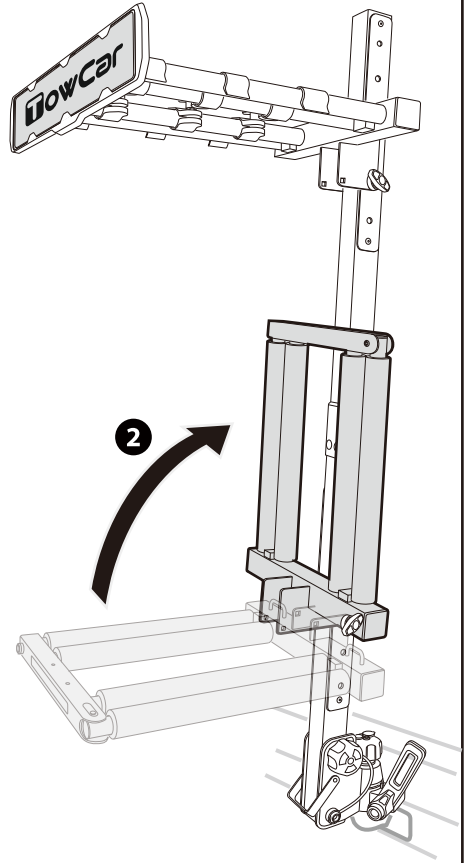
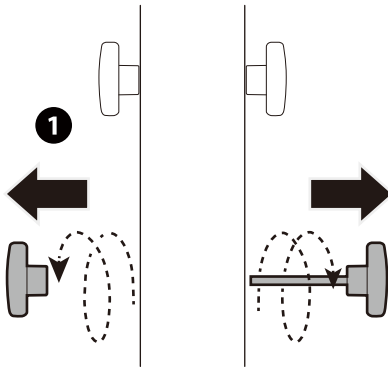
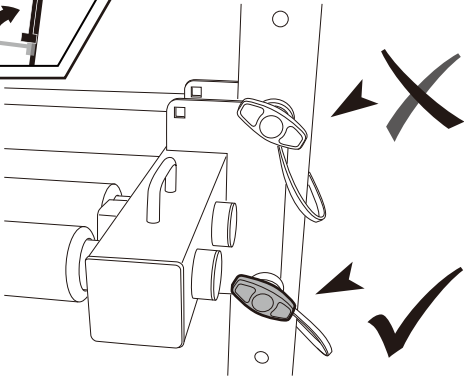
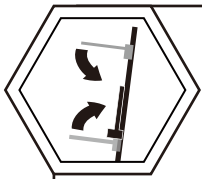


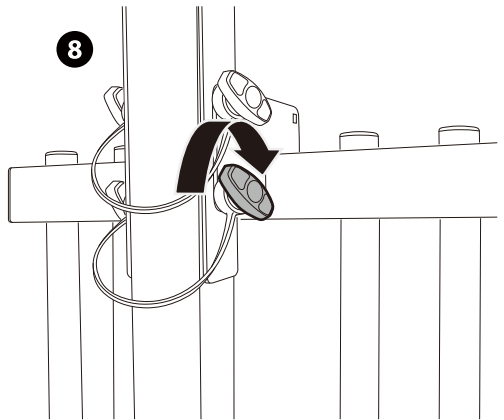
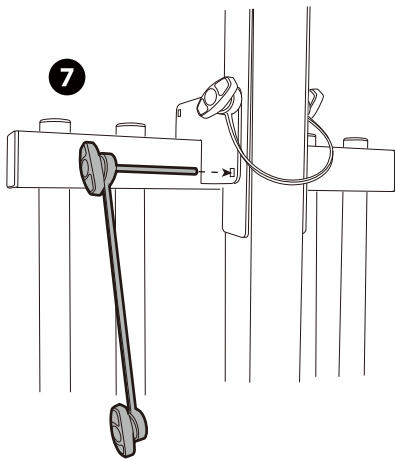
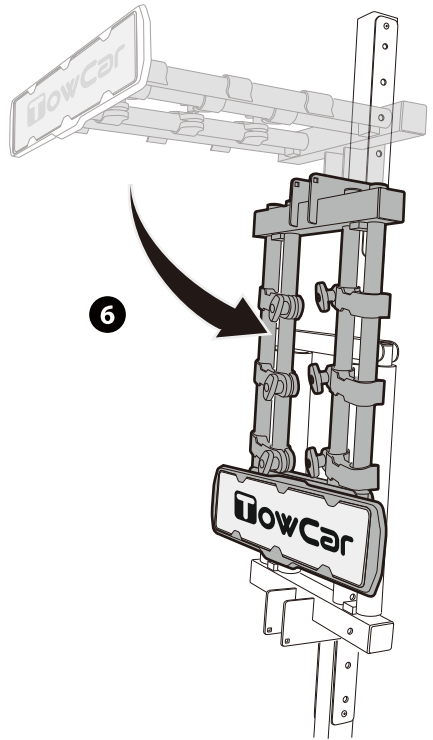
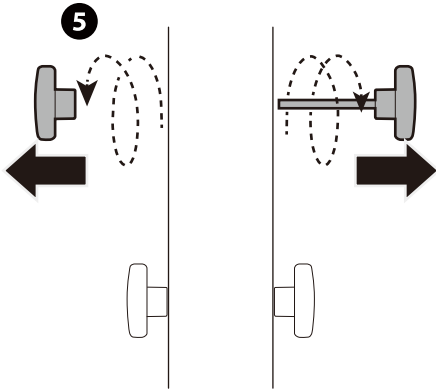
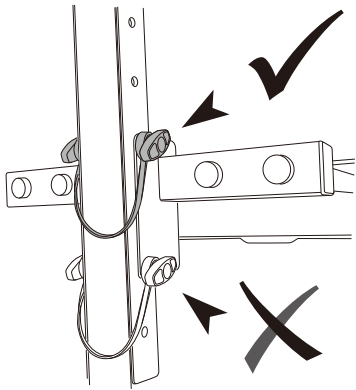


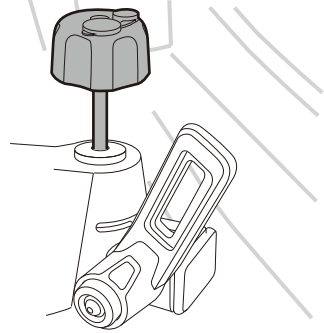
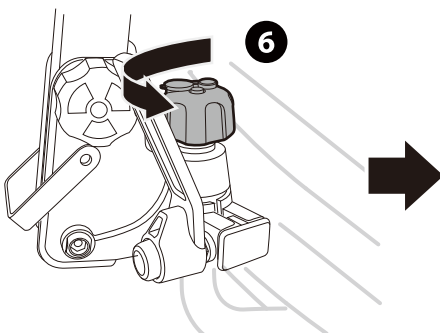
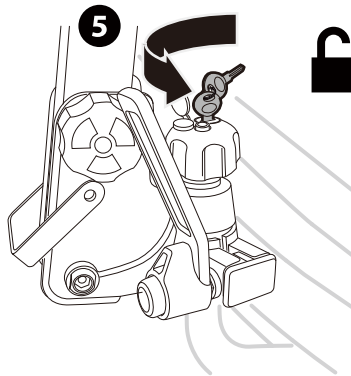
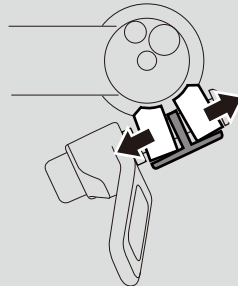
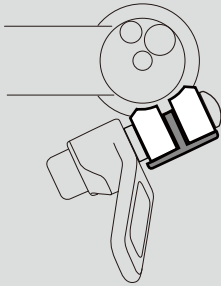
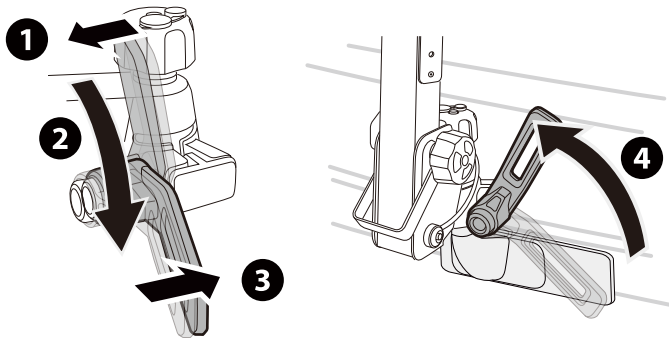


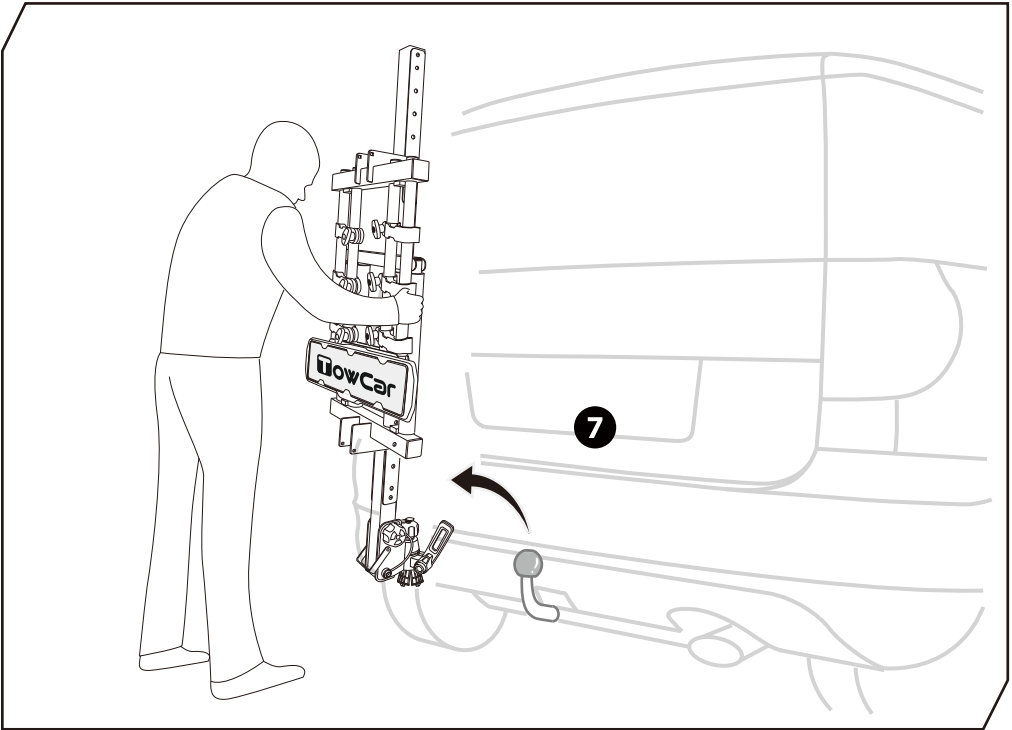












# TowCar



**Enganches y Remolques Aragón S.L.**  
Pol. Ind. Malpica  
Calle B, Nº 77  
50016 - Zaragoza - España

Tel. (+34) 976 457 130  
info@towcar.es  
**www.towcar.es**